



# Wood Turning: Wooden Pen

## Project Information Page



Welcome to **Wood Turning**! In this project, members will learn how to use a wood lathe to turn a square piece of raw wood into a beautiful and functional pen with the guidance of our skilled professional. This project will also teach members how to prepare the wood in advance with a drill press, through to sanding and waxing wood to a fine finish to achieve the final product. From bowls and vases to pens and decorative items, the possibilities are endless.

### Project Requirements

- Attend Wood Turning Project Day on January 20, 2024
- Complete all steps to finish your wooden pen (as outlined by Mr. Campbell)
- Complete Wood Lathe Activity Sheet (attached) and display at Achievement Day
- Complete 4-H Project Page (*attached*)

### 4-H Year Completion Requirements

**The following must be on display at the Club Achievement Day in order to complete the 4-H year**

- Project Requirements as outlined above
- Member Documentation 2 pages found in member portfolio including:
  - Communications Activity (*speech, demonstration or other*)
  - Community Service Activity
  - Agriculture Awareness Activity

### Exhibition Item(s)

**Members are encouraged to submit completed project items for display OR competition in 4-H Classes at PEI Fairs & Exhibitions. Please check with your Project Leader or visit the website for more information.**

- For this project, members are invited to submit their completed wooden pen

### General Reminders

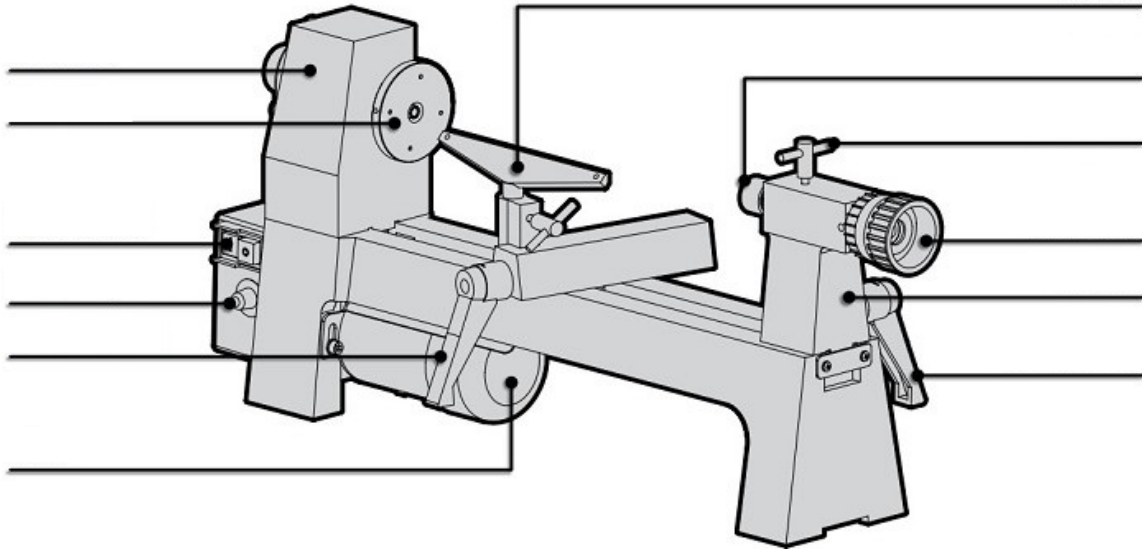
- The Provincial 4-H Website ([pei4h.ca](http://pei4h.ca)) is regularly updated with important project information, however additional leader & member resources for this project **may** be available at the 4-H Office. Please contact your 4-H Specialist if you need assistance.
- The **DEADLINE** for submitting project work and portfolios for year end completion will be the second last Saturday in July. Only members in good standing (having completed all of the year end requirements) will be eligible to participate in 4-H classes at Island exhibitions **and/or** apply or be nominated for annual awards, travel and scholarship opportunities.



# Wood Turning: Wooden Pen

## Activity Sheet

**Part I** - During your time with Mr Campbell for the Wood Turning Project, you may have been introduced to a wood lathe for the first time. Label the parts of the wood lathe:



**Part II** - Choose two tools that you learned how to use to make your wooden pen. Print a photo and paste, or draw a picture of each tool, below *(Please use reverse side of sheet if you require more room for this section)*

What is the name of this tool:

---

Outline how you used it to create your pen?

---

---

---

---

What is the name of this tool:

---

Outline how you used it to create your pen?

---

---

---

---

# 4-H Project Page *(one page per project)*

Project Name \_\_\_\_\_

2023-2024 4-H Year

Meeting/Activity Date	Topic Covered or Project Requirement Completed <i>(What did you learn OR what requirement for this project was completed?)</i>

## Career Exploration

What would be a career choice (job) that relates to this project?

Would this be a job that you would like to have someday? Why or why not?


## Reflection

What was your favourite part about this project?

What new skills did you learn?

Describe any problems or challenges:


Project Leader Signature	
-----------------------------	--

Office Use Only Staff Signature	
------------------------------------	--